

Linear Actuator

1-Axis Controller

22. HIWIN 1-Axis Controller

LAK2LR

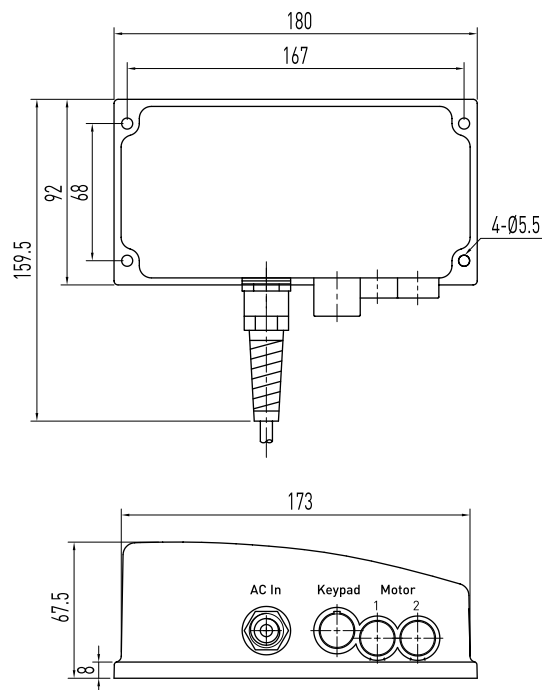


Table 22.1 Specifications

Input voltage	AC 100 / 110 / 220 / 230V(50/60Hz)
Output power	108VA (24VDC) max.
Duty cycle	10%
Protection	IP54
Working temp.	+5°C~40°C

Option:

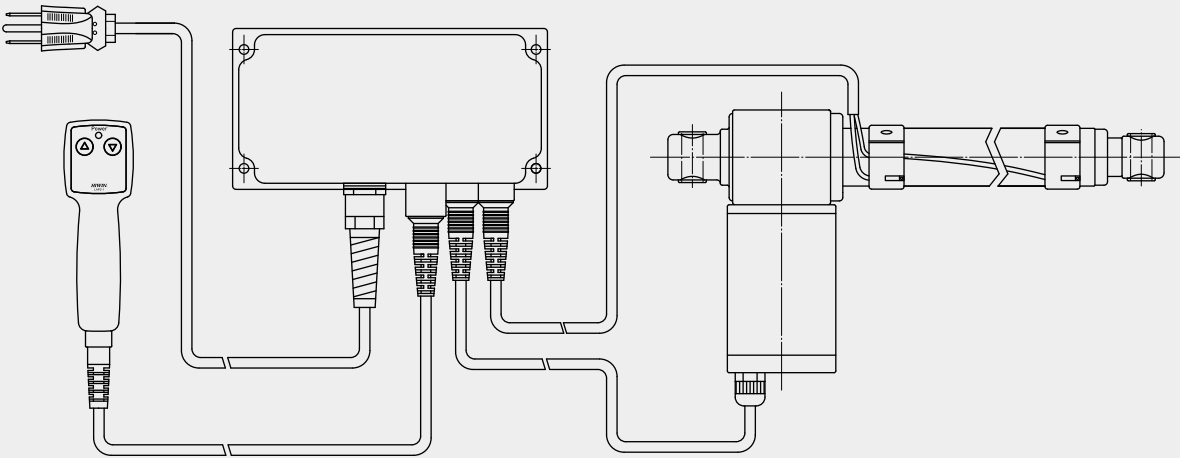
IP66

Features of the LAK2LR

- Controls 1 linear Actuator
- Controls 1 Actuator with external limit switches
- OLP (Over Load Protection)

- Standard cable length: 4M
- Electronic protection for the relays

For Series LAM1 completed with external limit switches



Ordering Information

LAK2LR - G - 110 - B E			
Actuator No. 1	Input Voltage	Color	Special models according to Client's requirement
G: Over current setting value	100: AC100V; 110: AC110V 220: AC220V; 230: AC230V	B: Black G: Gray	None E = Special requirement

* Check attached table for over current setting...see page 55.
 * The keypad of the LAK2LR is not the same as LAK2L.

Linear Actuator

2-Axis Controller

23. HIWIN 2-Axis Controller (1)

LAK2

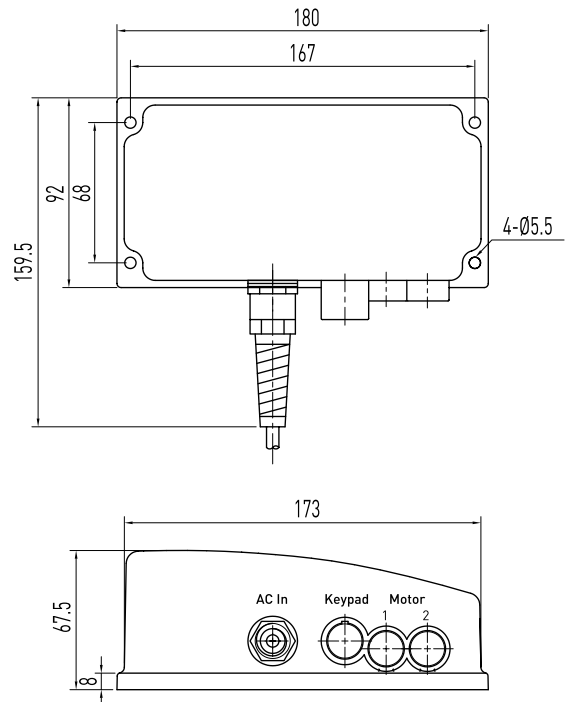


Table 23.1 Specifications

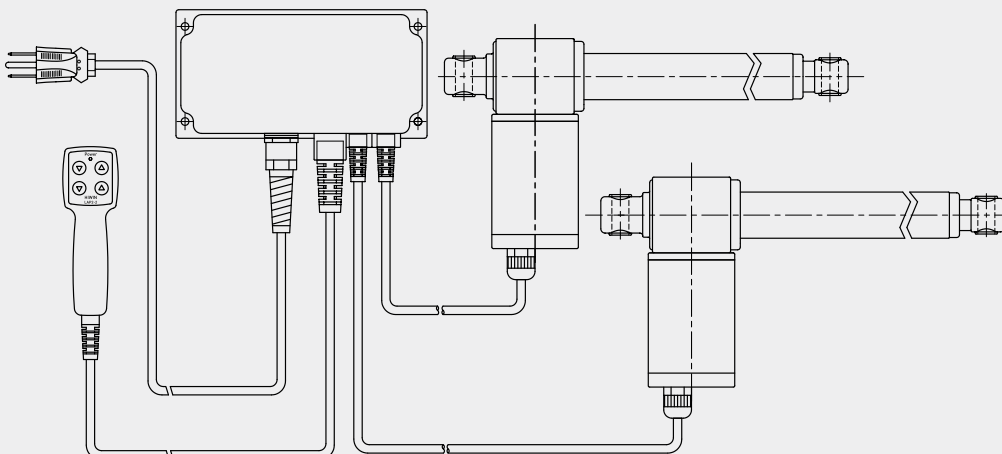
Input voltage	AC 100 / 110 / 220 / 230V (50/60Hz)
Output power	108VA (24VDC) max.
Duty cycle	10%
Protection	IP54
Working temp.	+5°C~40°C

Option:

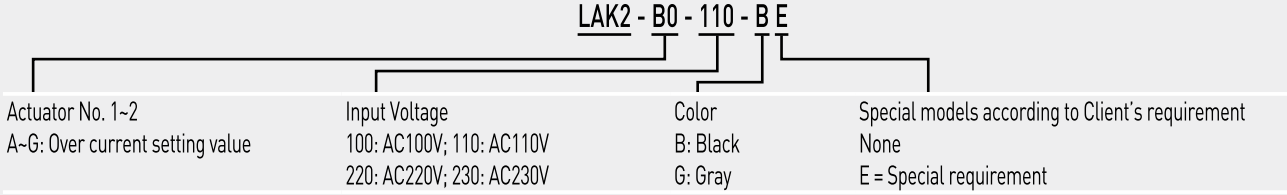
- (1) IP66
- (2) DC 12V In & Out
- (3) DC 24V In & Out
- (4) UL version only for AC 120V input (Max. Output 24V/6A)

Features of the LAK2

- Control 1 or 2 Linear Actuators
- Over load protection
- Standard cable length: AC:4M/DC:1M
- Electronic protection of the relays

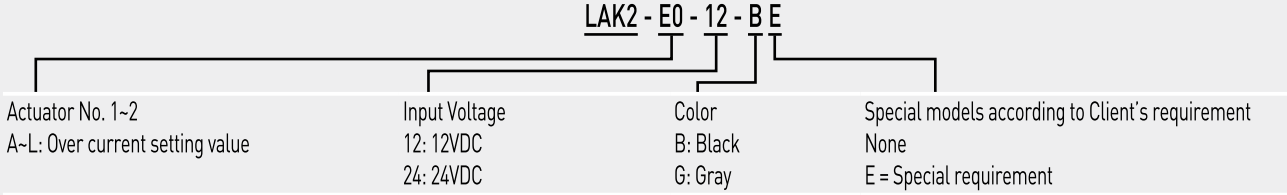


Ordering Information (AC Power)



* Check attached table for over current setting...see page 55.

Ordering Information (DC Power)



* Standard cable: 1M in length with 3 flying lead termination.

* Check attached table for over current setting...see page 55.

Linear Actuator

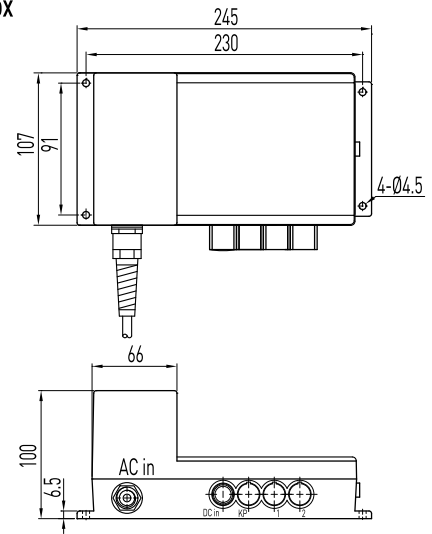
2-Axis Controller

24. HIWIN 2-Axis Controller (2)

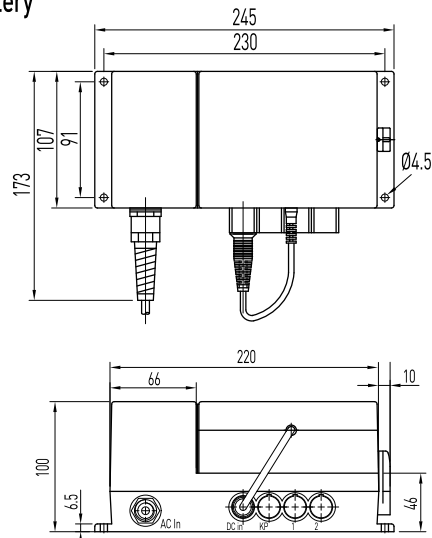
LAK2BN



0 No Battery box



1 For 1.3Ah Battery



2 For 2.9Ah Battery

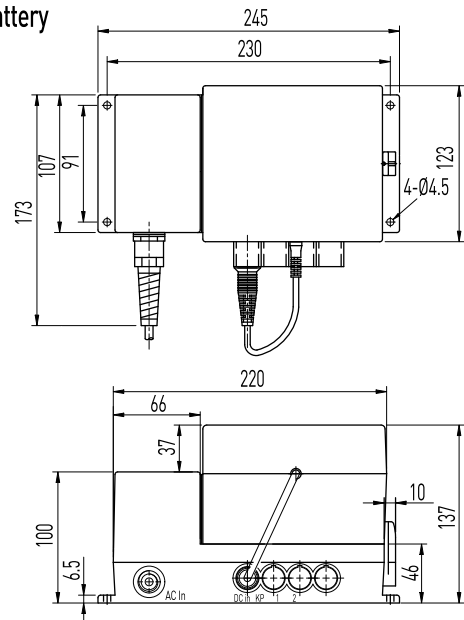


Table 24.1 Specifications

Input voltage	AC 100 / 110 / 220 / 230V(50/60Hz)
Output power	144VA (24VDC) max.
Duty cycle	10%
Protection	IP54
Working temp.	+5°C~40°C

Option:

- (1) IP66
- (2) Custom program
- (3) Two axes move simultaneously
- (4) Two axes move synchronously (Actuators must have feedback)

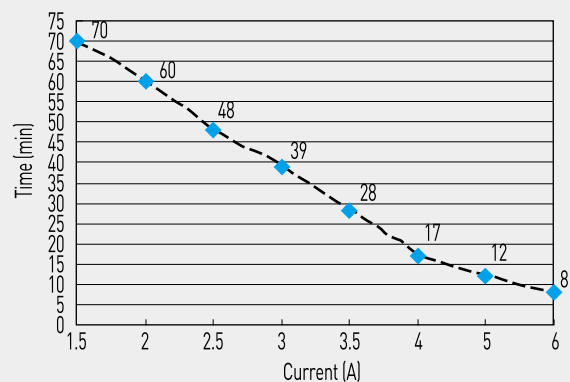
Features of the LAK2BN

- Control 1 or 2 Linear Actuators
- Compact size
- Over load protection
- Soft - start / stop
- Standard cable length: 4M
- Rechargeable Battery

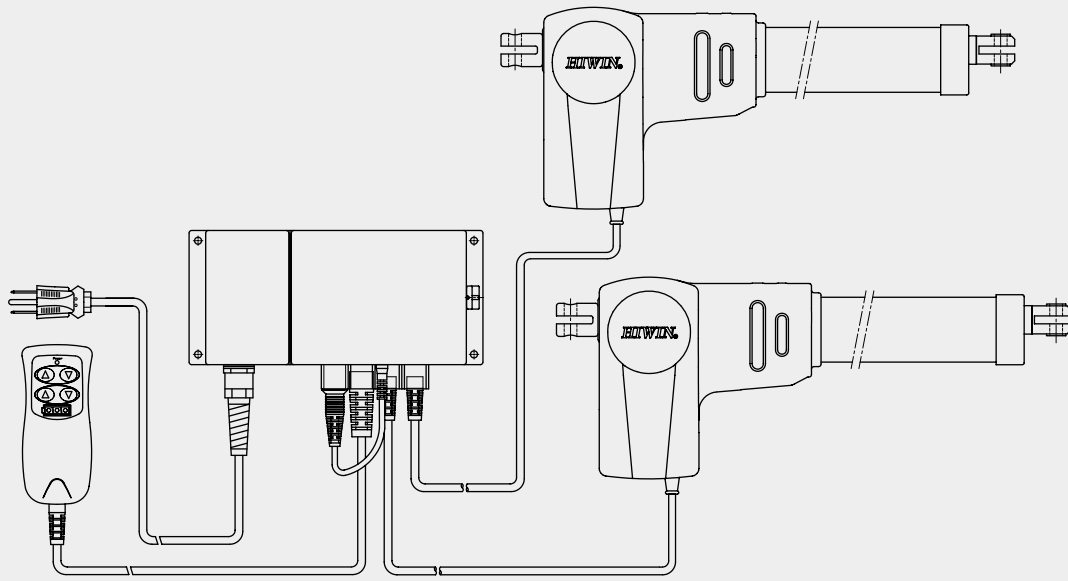
- Low battery indicator (alarm)
- Battery capacity: 1.3Ah (12VDCx2)
- (Option: 2.9Ah, 12VDCx2)

*Note: Please charge battery for at least 8 hours before initial use.

Current vs. Durable Period under Load (1.3Ah)



Note: 1.The test results are obtained under duty cycle 10% (2 minutes of continuous operation followed by 18 minutes of non-operation).
2.The Test results are for reference only, actual value will be different due to the battery performance.



Ordering Information

LAK2BN - 1 - D0 - 110 - B E				
Battery	Actuator No. 1~2	Input Voltage	Color	Special models according to Client's requirement
0: None Battery box	0: None	100: AC100V; 110: AC110V	B: Black	None
1: 1.3Ah	A~H: Over current setting value	220: AC220V; 230: AC230V	G: Gray	E = Special requirement
2: 2.9Ah				

* Check attached table for over current setting...see page 55.

Linear Actuator

2-Axis Controller

25. HIWIN 2-Axis Controller (3)

LAK2D

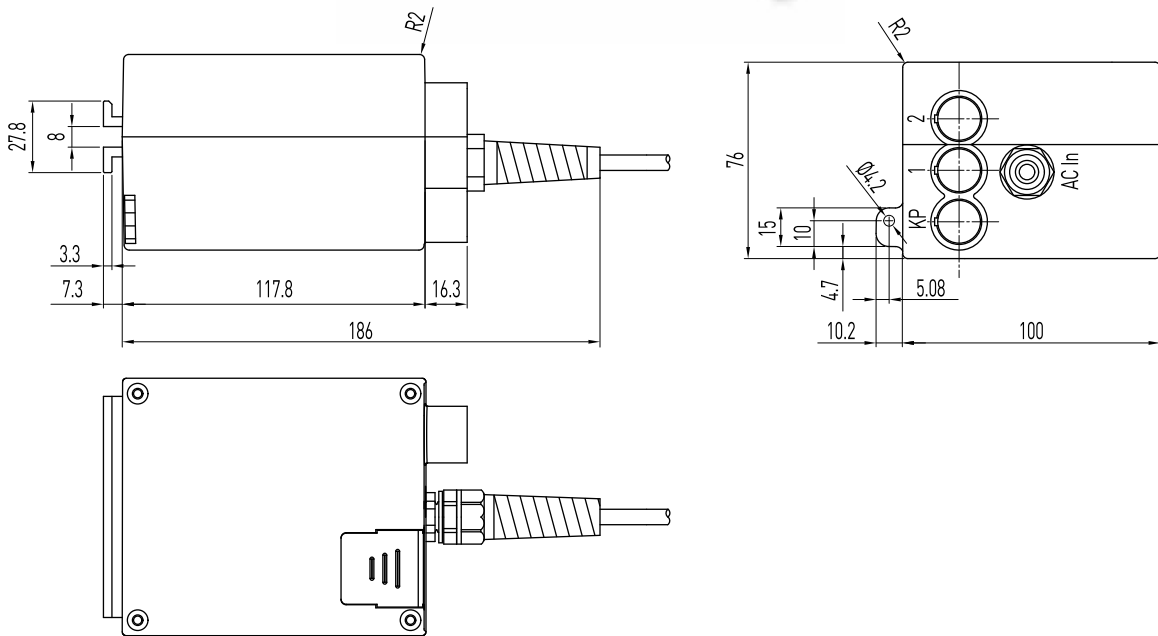


Table 25.1 Specifications

Input voltage	AC 100 / 110 / 220 / 230V (50 / 60Hz)
Output power	108VA (24VDC) max.
Duty cycle	10%
Protection	IP54
Working temp.	+5°C~40°C

Option:

(1) IP66

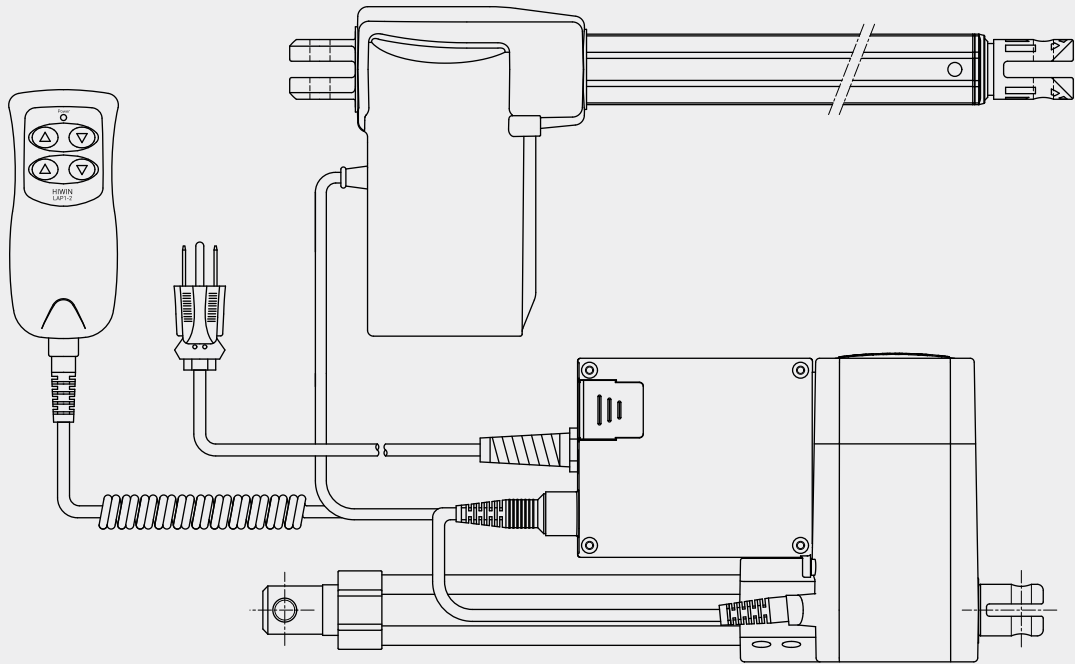
Features of the LAK2D

- Control 1 or 2 Linear Actuators
- Standard cable length: 4M
- Over load protection
- During an emergency power loss, please insert 2-9V alkaline batteries to lower the actuators. [Protection class is IP54 when LAK2D is operated with batteries]

- Can be mounted directly on the LAM3 or LAN5

* There is no battery charge function, the 9V batteries are used for emergencies only.

LAK2D can be mounted with LAM3 or LAN5



Ordering Information

LAK2D - 1 - D0 - 110 - G E				
Battery	Actuator No. 1~2	Input Voltage	Color	Special models according to Client's requirement
0: None	0: None	100: AC100V; 110: AC110V	B: Black	None
1: 9-volt alkaine battery	A~F: Over current setting value	220: AC220V; 230: AC230V	G: Gray	E = Special requirement

* Check attached table for over current setting...see page 55.

* LAK2D over current must be set to the same value.

Linear Actuator

2-Axis Controller

26. HIWIN 2-Axis Controller

LAK2J

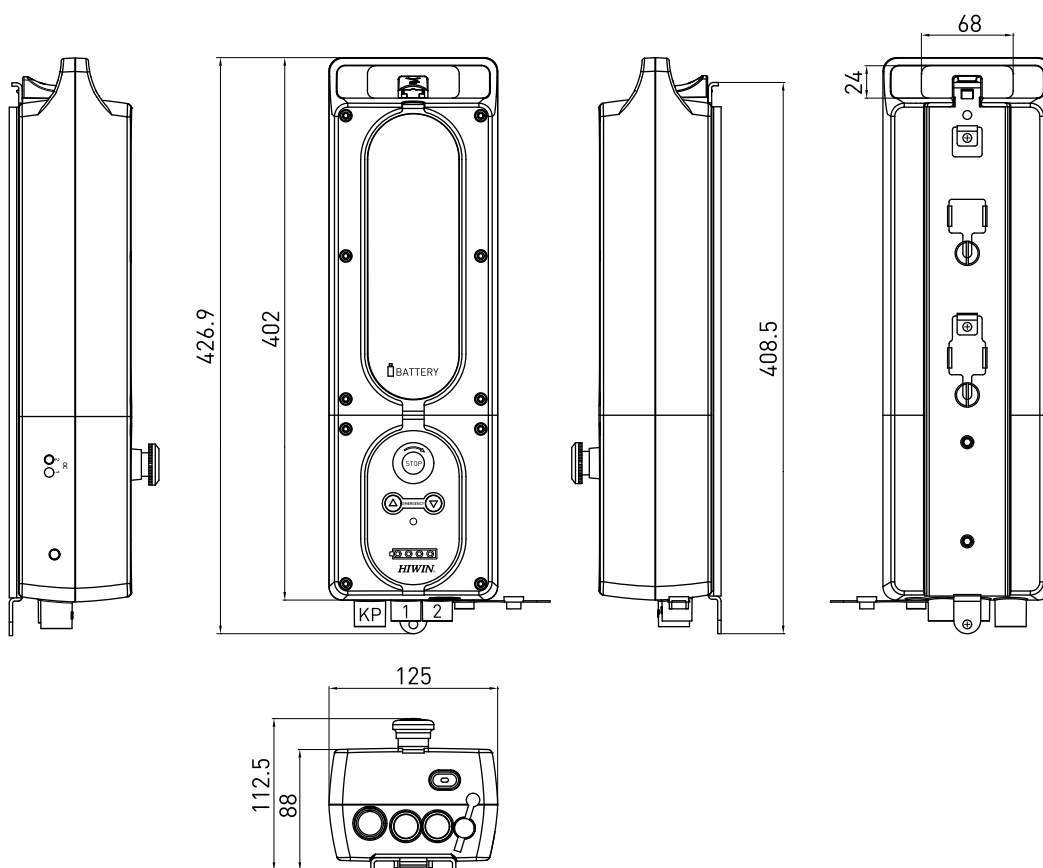


Table 26.1 Specifications

Output voltage	DC 24V
Duty cycle	10%
Protection	IP54
Working temp.	+5°C~40°C

Option:

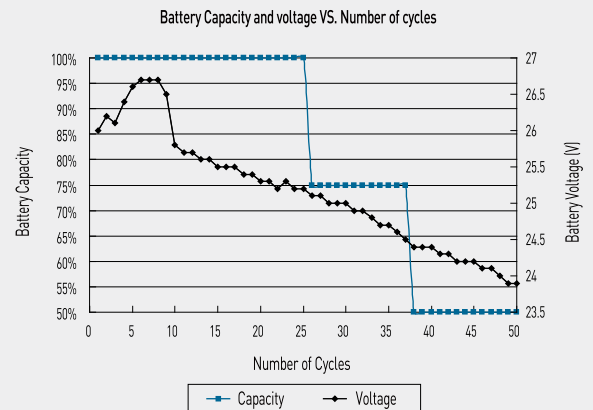
- (1) IP65
- (2) Custom program
- (3) UL Version

Features of the LAK2J

- Portable design (operated by battery)
- Control 1 to 2 Linear Actuators
- Emergency stop button
- Emergency operation through front panel (only for axis 1)
- Over load protection
- Soft - start / stop
- Battery rechargeable via LAKCH charger
- Automatic alarm when the battery is low
- Automatic Energy Saving Mode
- Battery capacity 4.5Ah (12VDC*2)
- LED for power indication

*Note: Please charge the battery for at least 12 hours before the initial use

Battery Characteristics

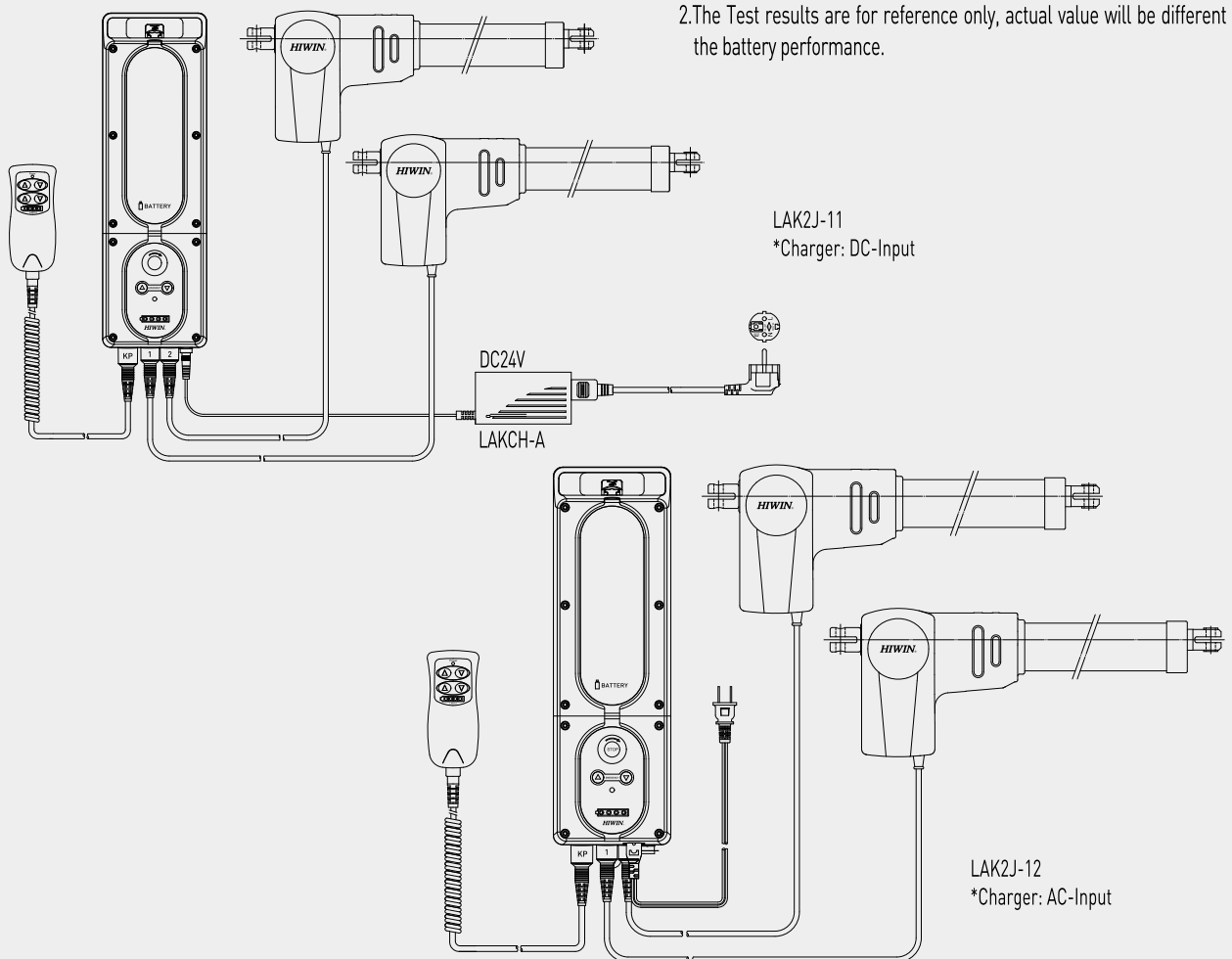


*Test results are obtained under 5A load current

Note: 1.The test results are obtained under duty cycle 10%

(2 minutes of continuous operation followed by 18 minutes of non-operation).

2.The Test results are for reference only, actual value will be different due to the battery performance.

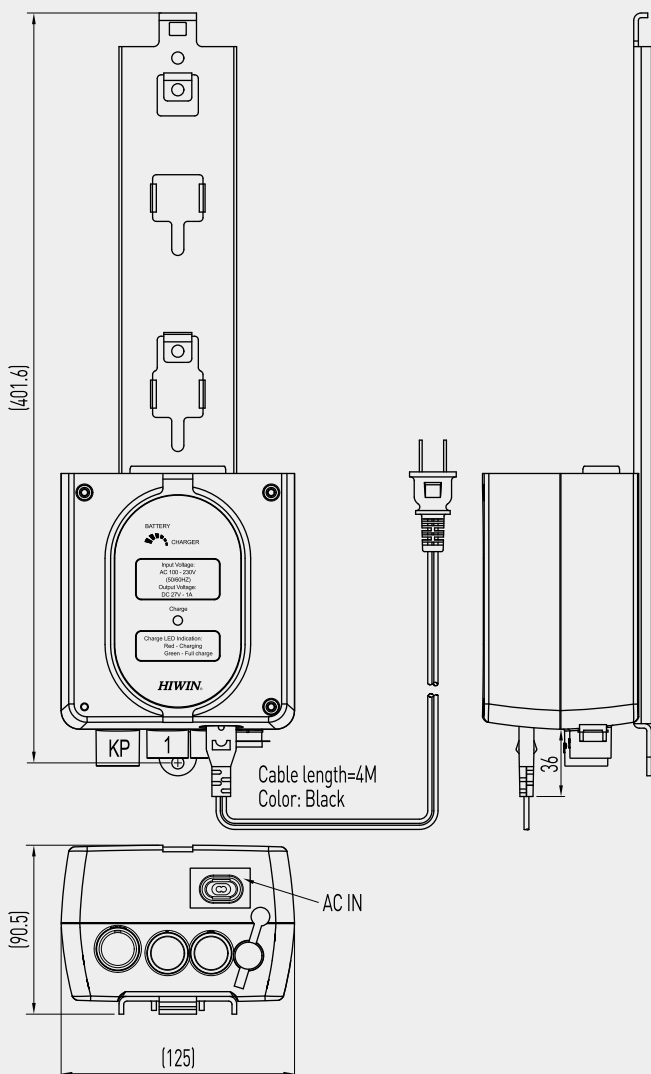


Ordering Information

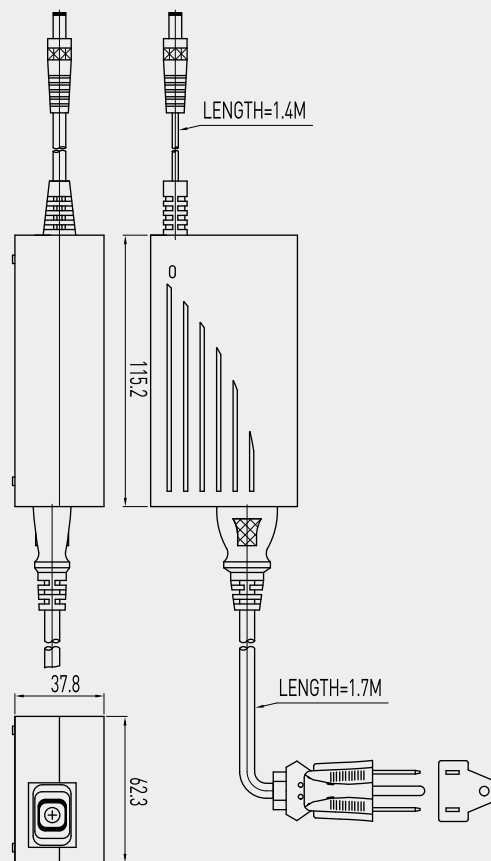
LAK2J - 11 - HH - 01 - 24 - W E						
Battery	Charger	Actuator No.1~2	Software function	Output power	Color	Special models according to Client's requirement
1: 4.5Ah	1: DC in charger by LAKCH-A 2: AC in charger (100~230VAC, 50~60HZ)	0: None A~H: Over current setting value	01: Standard	DC: 24V	W: White G: Gray	None E = Special requirement

Charger/Battery

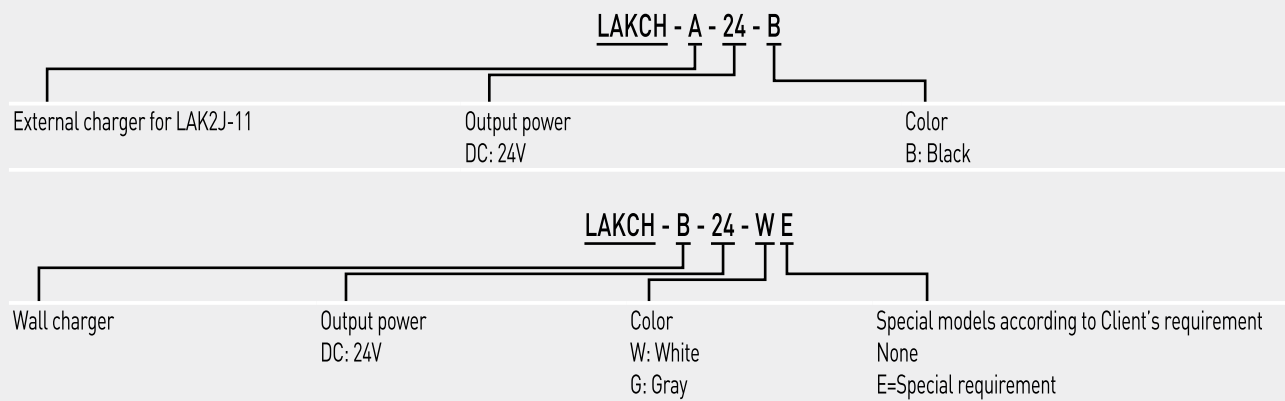
Charger : LAKCH-B



Charger : LAKCH-A



Ordering Information



Linear Actuator

3-Axis Controller

27. HIWIN 3-Axis Controller

LAK4

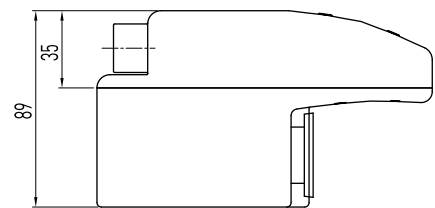
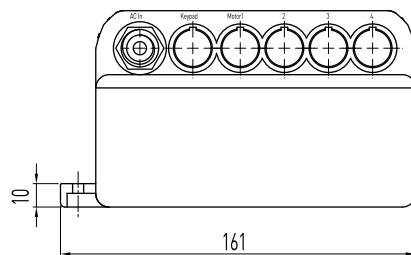
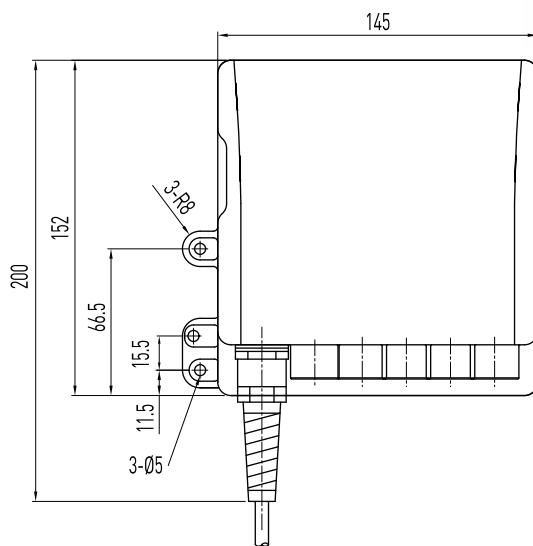


Table 27.1 Specifications

Input voltage	AC 100 / 110 / 120 / 220 / 230V (50 / 60Hz)
Output power	72.5VA (24VDC) max.
Duty cycle	10%
Protection	IP54
Working temp.	+5°C~40°C

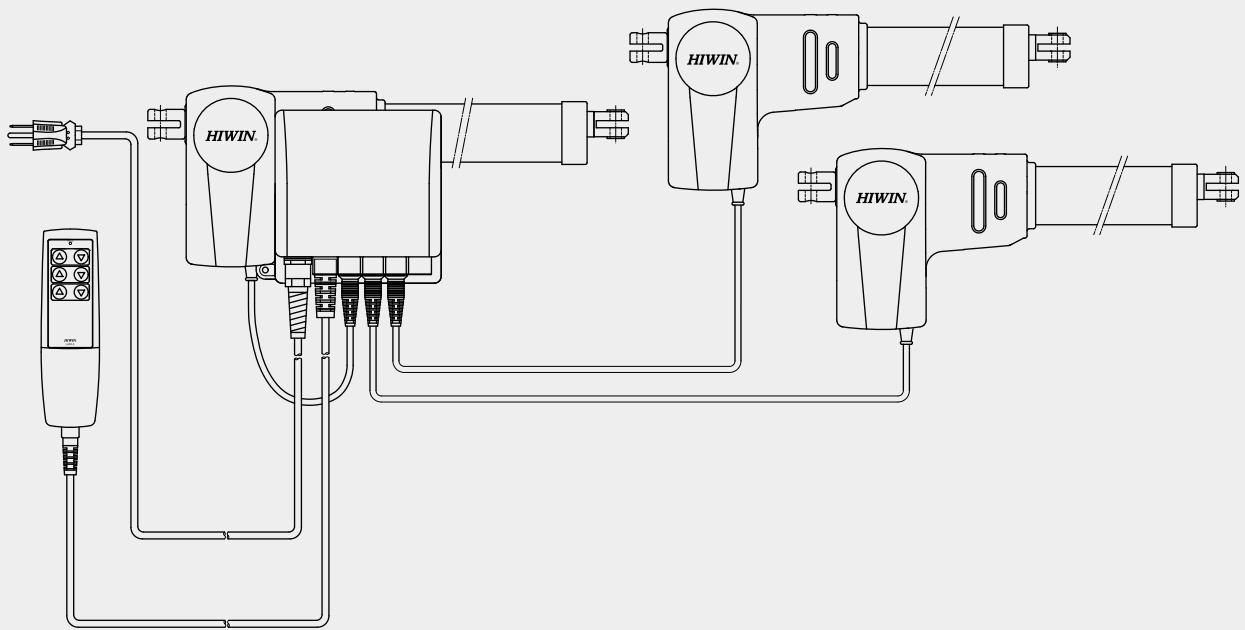
Option:

- (1) IP66
- (2) UL version only for LAK4-F000-110-B

Features of LAK4

- Control 1 to 3 Actuators
- Can be mounted directly on the LAN1
- Standard cable length: 4M
- *Note: LAK4 without over current protection

LAK4 can be mounted with LAN1



Ordering Information

LAK4 - D000 - 110 - B E

Actuator No.1~3

0: None

A-F: Only indicate the actuator maximum current,
not indicate over current setting value.

Input Voltage

100: AC100V; 110: AC110V

220: AC220V; 230: AC230V

Color

B: Black

G: Gray

Special models according to Client's requirement

None

E = Special requirement

Linear Actuator

4-Axis Controller

28. HIWIN 4-Axis Controller

LAK4D

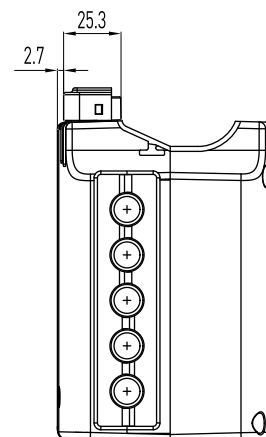
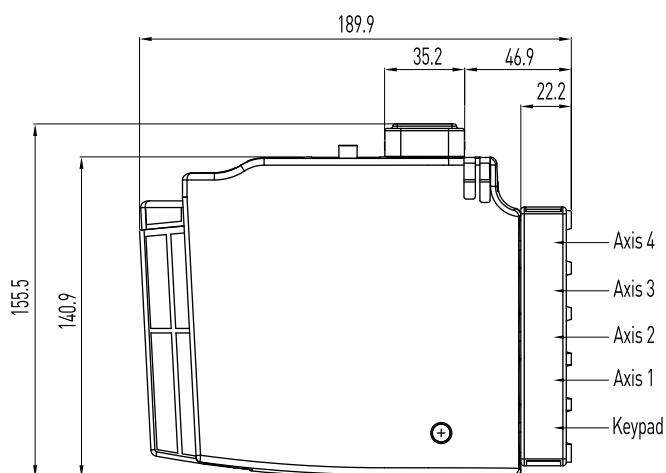
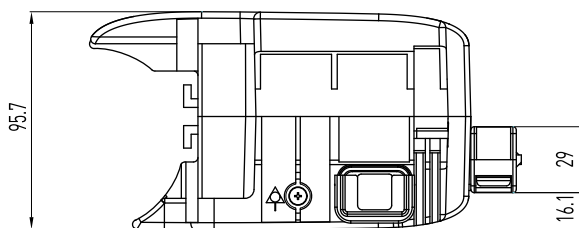


Table 28.1 Specifications

Input voltage	AC 100 / 110 / 120 / 220 / 230V (50/60Hz)
Output power	72.5VA (24VDC) max.
Duty cycle	10%
Protection	IP54
Working temp.	+5°C~40°C

Option:

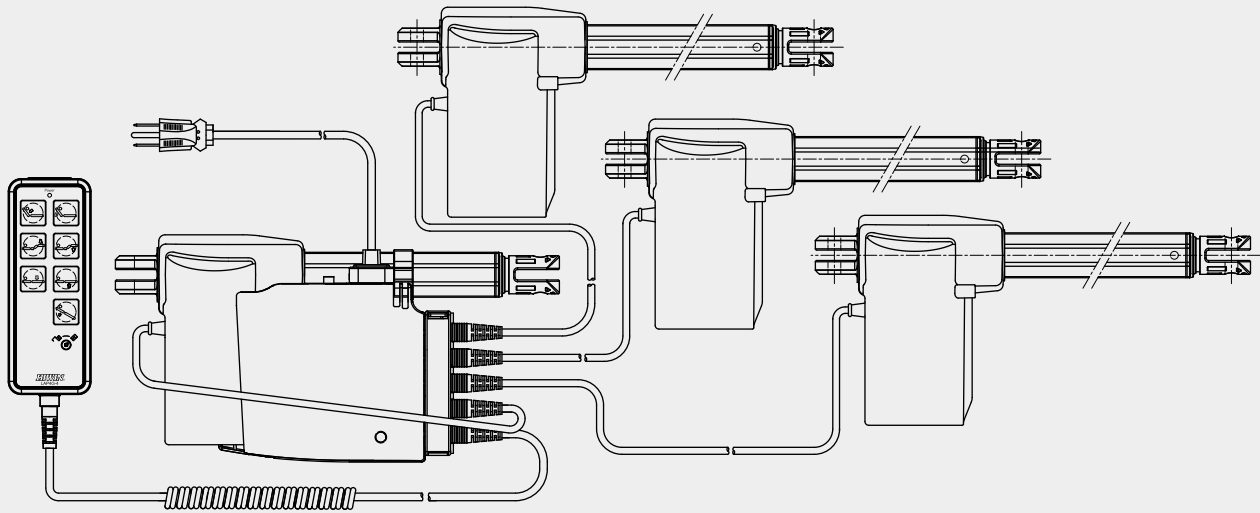
- (1) IP66
- (2) Output power: 144VA, 216VA
- (3) UL Version

Features of LAK4D

- Control 1 to 4 Linear Actuator
- Standard cable length: 4M
- Detachable cable retainer (protection against accidental unplugging)
- Removable AC power cable.

- LED power display.
- Can be mounted directly on the LAN5.
(LAN5 min. RL must be greater than 300mm)
- * Notes: LAK4D without over current protection.

LAK4D can be mounted with LAN5



Ordering Information

LAK4D - D000 - 110 - G E

Actuator No.1~4

0: None

A~H: Only indicate the actuator maximum current,
not indicate over current setting value.

Input Voltage

100: AC100V; 110: AC110V

220: AC220V; 230: AC230V

120: AC 120V

Color

B: Black

G: Gray

Special models according to Client's requirement

None

E = Special requirement

Linear Actuator

6-Axis Controller

29. HIWIN 6-Axis Controller

LAK6B

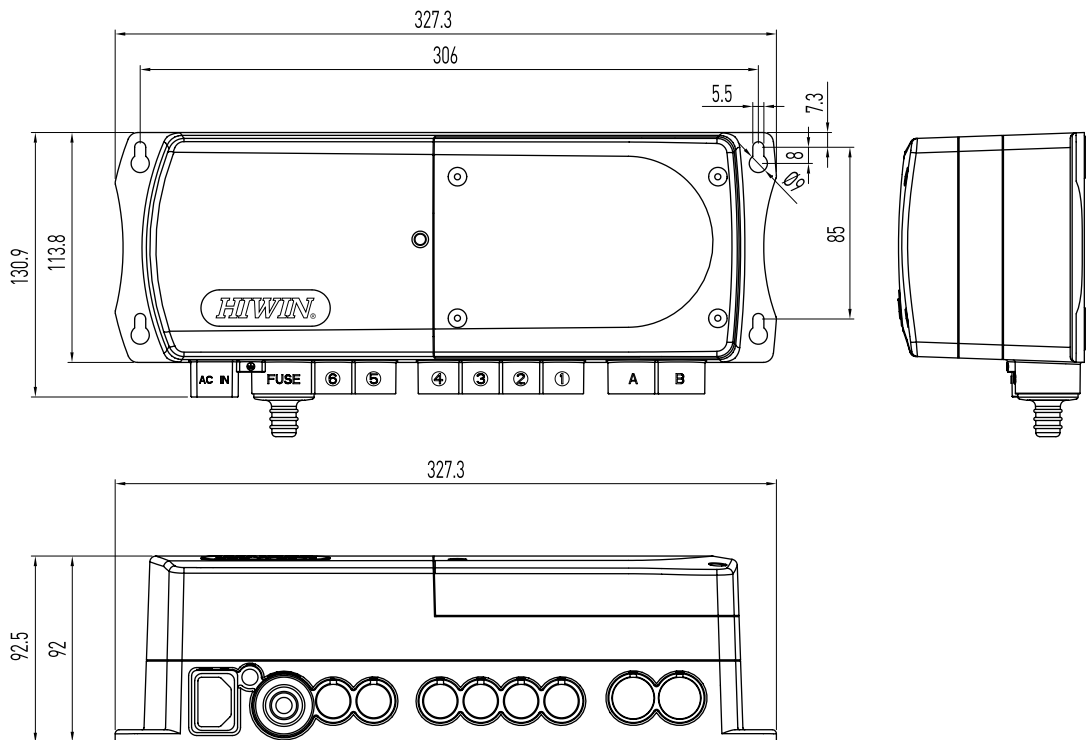


Table 29.1 Specifications

Input voltage	AC 100 / 110 / 220 / 230V (50/60Hz)
Output power	216VA (24VDC) max.
Duty cycle	10%
Protection	IP54
Working temp.	+5°C~40°C

Option:

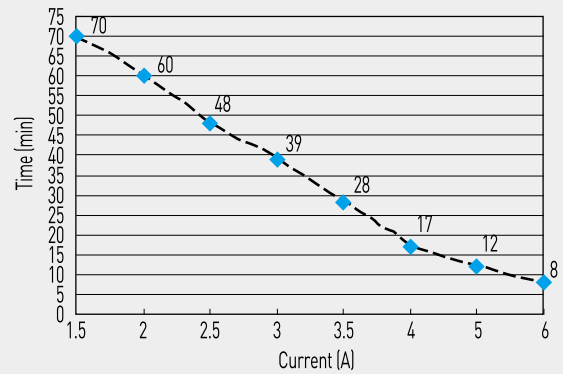
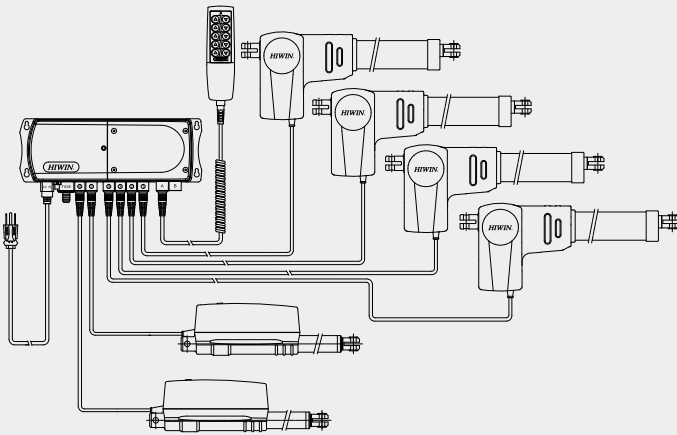
- (1) IP66
- (2) Custom program

Features of LAK6B

- Control 1 to 6 Linear Actuators
- Over load protection
- Soft-start
- Standard cable length: 4M
- Rechargeable battery
- Low battery indicator (alarm)
- Automatic energy saving
- Battery capacity 1.3Ah (12VDCx2)
- Main fuse replaceable by external plug
- Spare fuse inside the fuse plug
- External ground connection
- LED power indication

* Note: Simultaneous movement is not available for LAN3-1/-2/-3(24Q)

* Note: Please charge battery for at least 8 hours before initial use.



Note: 1. The test results are obtained under duty cycle 10% (2 minutes of continuous operation followed by 18 minutes of non-operation).
 2. The Test results are for reference only, actual value will be different due to the battery performance.

Ordering Information

LAK6B - 1 - D 00000 - 00 - 110 - G E

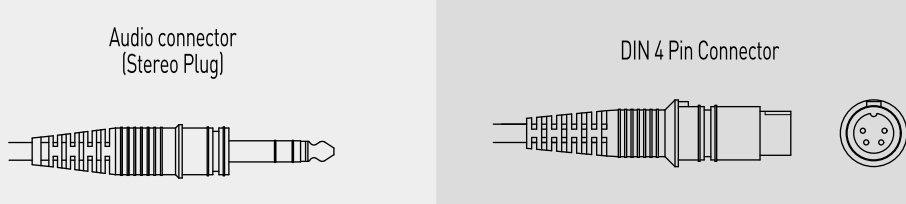
Battery	Actuator No.1~6	Type	Input Voltage	Color	Special models according to Client's requirement
0: No	0: None	00: Standard	100: AC100V; 110: AC110V	B: Black	None
1: 1.3Ah	A~J: Over current setting value	01: Custom software	220: AC220V; 230: AC230V	G: Gray	E = Special requirement

* Check attached table for over current setting...see page 55.

Over Current Setting Table

Code No.	Current setting	Actuator Model	Controller Model
A	2.5A	LAS4-1; LAS5-1/-2	LAK2; LAK2D; LAK2LR; LAK2BN; LAK2J; LAK4; LAK4D; LAK6B
B	3.0A	LAS1-1; LAS3-1; LAI2-1; LAS5A-1/-2	LAK2; LAK2D; LAK2LR; LAK2BN; LAK2J; LAK4; LAK4D; LAK6B
C	4.0A	LAS1-2; LAS3-2; LAS4-2; LAI1-1(24V); LAM2-3/-4; LAS2-1/-2; LAI2-1	LAK2; LAK2LR; LAK2D; LAK2BN; LAK4; LAK6B
D	5.0A	LAM3-3/-4; LAN1-1/-2; LAN5-2/-3/-4; LAM2-1/-2; LAI2-2	LAK2; LAK2D; LAK2LR; LAK2BN; LAK2J; LAK4; LAK4D; LAK6B
E(24V)	6.0A	LAM3-2; LAN4; LAC3-1; LAN4-3/-4; LAN5-1; LAI1-1A(24V); LAC1	LAK2D; LAK2BN; LAK2J; LAK4; LAK4D; LAK6B
E(12V)	6.0A	LAS1-1(12V); LAS3-1(12V); LAS4-1(12V); LAM2-3/-4; LAS2-1/-2	LAK2(DC)
F(24V)	7.0A	LAN1-1/-2/-3/-4(24Q); LAM3-1; LAN4-1/-2; LAN5-3/-4(24Q)	LAK2; LAK2D; LAK2LR; LAK2BN; LAK2J; LAK4; LAK4D; LAK6B
F(12V)	7.0A	LAS1-2(12V); LAS3-2(12V); LAS4-2(12V); LAM2-3/-4	LAK2(DC)
G(24V)	8.0A	LAM1-1/-2/-1A; LAN5-1/-2(24Q)	LAK2; LAK2LR; LAK6B; LAK2J
G(12V)	8.0A	LAI1-1(12V); LAM1-1/-2	LAK2(DC)
H(24V)	9.0A	LAN3-1/-2/-3(24V); LAN3A-1/-2/-3/-4(24V)	LAK6B; LAK2J
H(12V)	9.0A	LAI1-1A(12V); LAM2-1/-2	LAK2(DC)
I	10A	For reservation	
J	12A	LAN3-1/-2/-3(24Q); LAN3A-1/-2/-3/-4(24Q)	LAK6B; LAK2J
K	14A	For reservation	
L	15A	LAN1-1/-2/-3(12V); LAM1-1/-2/-1A(12V), -2A(12V); LAM3(12V); LAN4(12V)	LAK2(DC)
Z	**A	Special current value (special requirement)	

LA Cable Connector Vs. Controller Model

Actuator Model	Normal connector	Controller Model	
		LAK2 / LAK2J / LAK2LR	LAK2BN / LAK2D / LAK4 / LAK4D / LAK6B
LAM1	bare wire	 <p>Audio connector (Stereo Plug)</p> <p>DIN 4 Pin Connector</p>	
LAM2	bare wire		
LAM3	bare wire		
LAI1	bare wire		
LAI2	bare wire		
LAS1	bare wire		
LAS2	bare wire		
LAS3	bare wire		
LAS4	bare wire		
LAS5	bare wire		
LAN1	bare wire		
LAN3	bare wire		
LAN3A	bare wire		
LAN4	bare wire		
LAN5	bare wire		
LAC1	bare wire		
LAC3	bare wire		

Linear Actuator

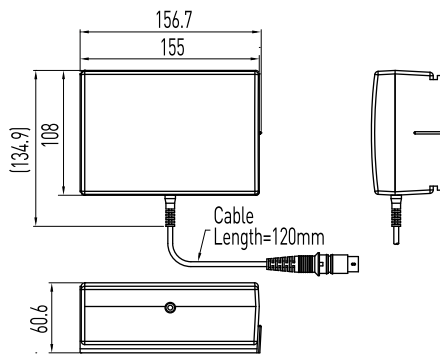
Battery

30. HIWIN Battery

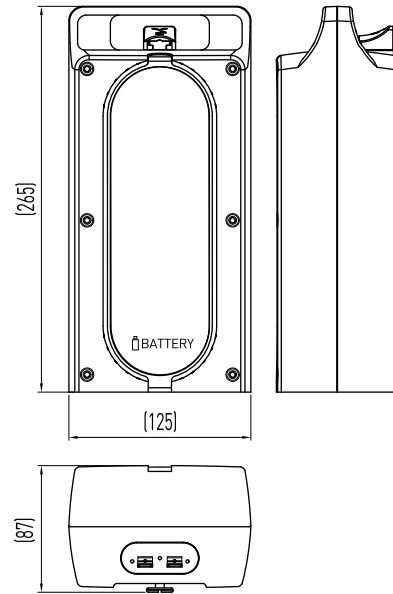
LAKB



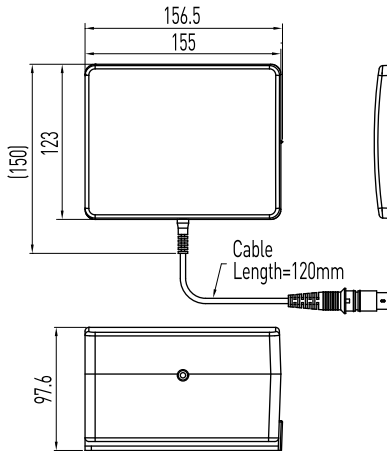
Battery: LAKB-1



Battery: LAKB-3



Battery: LAKB-2



Ordering Information

LAKB - 1 - G E

Battery 1: 1.3Ah 2: 2.9Ah	Color B: Black G: Gray	Special models according to Client's requirement None E = Special requirement
---------------------------------	------------------------------	---

LAKB - 3 - G E

Battery for LAK2J 3: 4.5Ah	Color W: White G: Gray	Special models according to Client's requirement None E = Special requirement
-------------------------------	------------------------------	---

Linear Actuator

Over Current Protection Box

31. HIWIN Over Current Protection Box

LAKC1-1

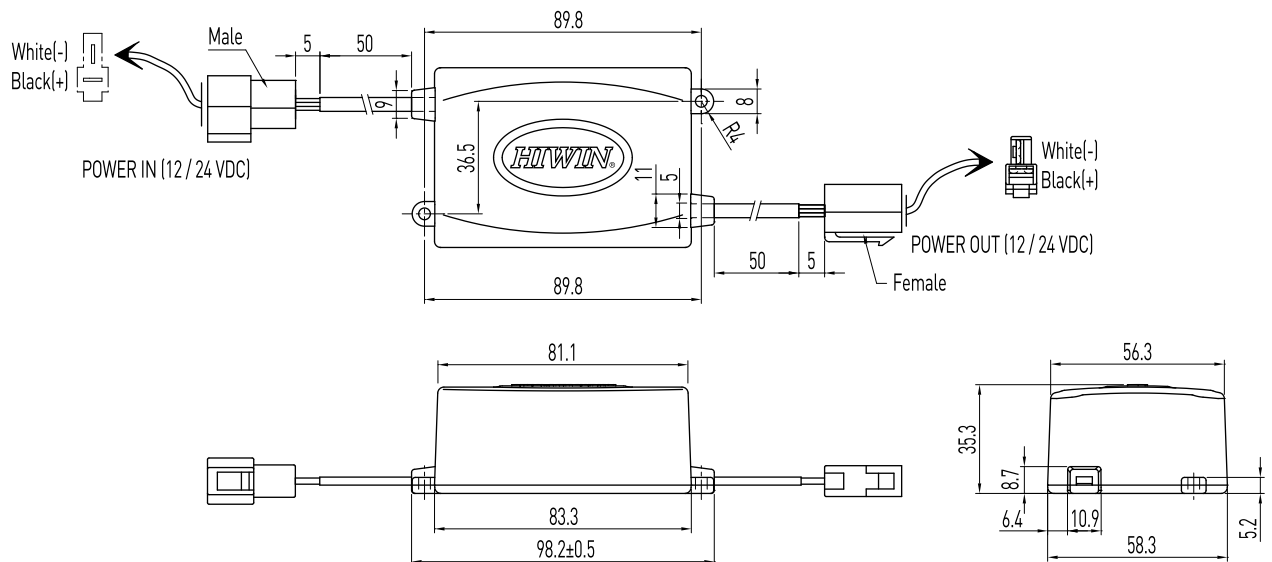


Table 31.1 Specifications

Input voltage	12/24VDC
Output power	12/24VDC
Duty cycle	10%
Protection	IP54
Working temp.	+5°C~40°C

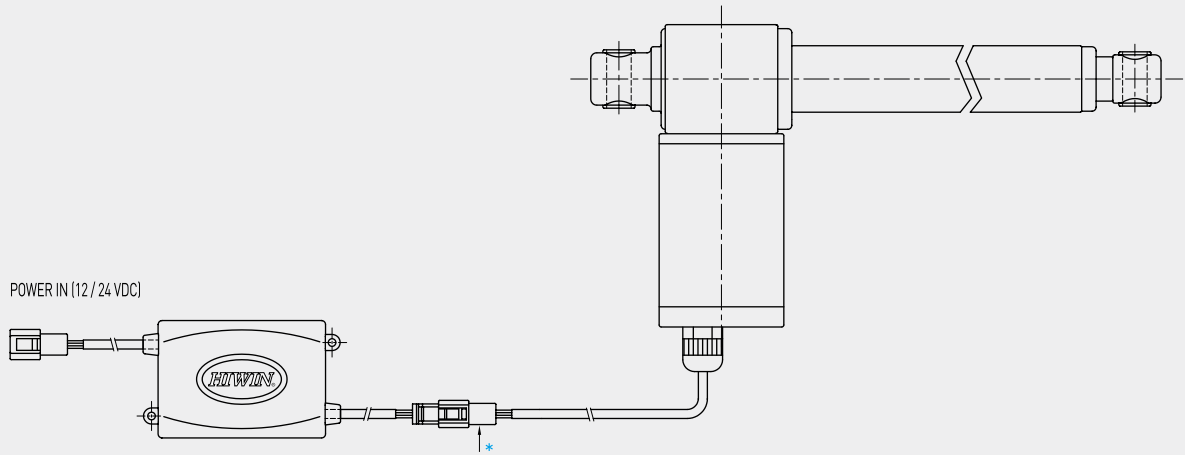
Option:

(1) IP66

Features of LAKC1-1

- Compact size
- Low cost
- Easy to use
- Multiple over- current settings available
- Fast response time

For Series



* When purchasing an actuator to be connected with the LAKC1, please inform the Hiwin sales representative.

Ordering Information

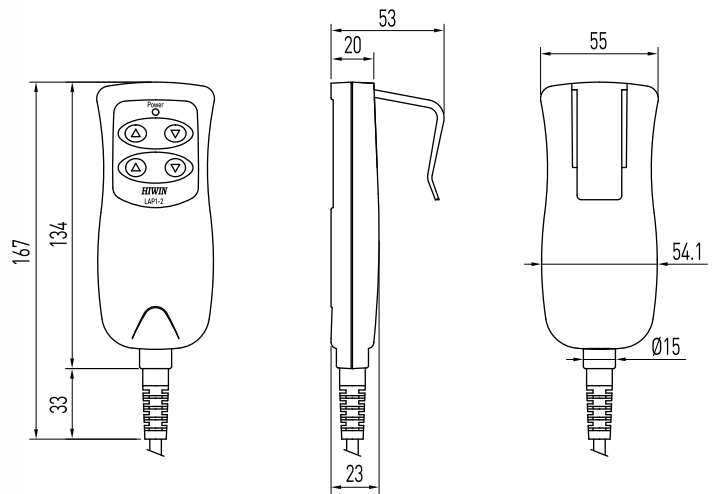
LAKC1 - 1 - 12 - 6 G E					
Model number	Input (Output) Voltage	Over Current Setting		Color	Special models according to Client's requirement
	12: 12VDC	12V:	24V:	B : Black	None
	24: 24VDC	2: 2A	2: 2A	G: Gray	E=Ignore this part of the serial number if not available
		3: 3A	2.5: 2.5A		
		4: 4A	3: 3A		
		5: 5A	4: 4A		
		6: 6A	5: 5A		
		8: 8A	6: 6A		
		10: 10A	7: 7A		
		12: 12A	8: 8A		
		18: 18A	9: 9A		
			10: 10A		

Linear Actuator

Keypad Series

32. HIWIN Keypad Series

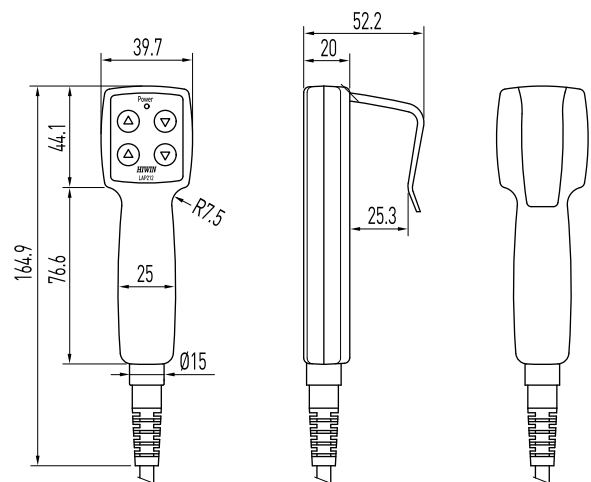
LAP1



Features of the LAP1

- Controls a maximum of 2 Actuators
- Compatible with the LAK2, LAK4, LAK4D, LAK2LR, LAK2D, & the LAK6B
- Ergonomic design
- Standard cable length: coil 600mm; total 1100mm
- Protection: IP66

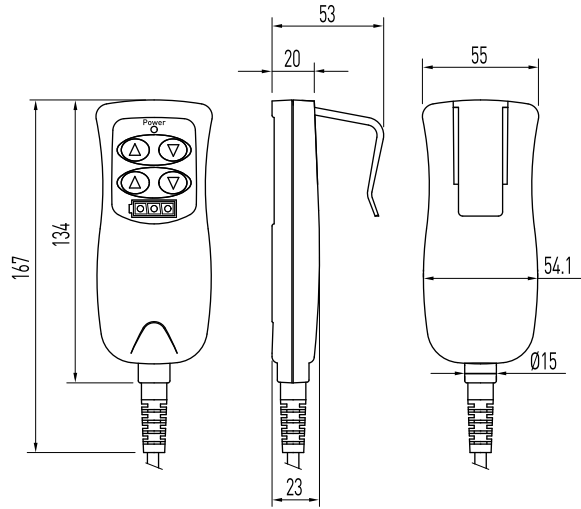
LAP2



Features of the LAP2

- Control maximum of 2 Actuators
- Compatible with LAK2, LAK4, LAK2D
- Ergonomic design and small size
- Standard cable length: coil 600mm; total 1100mm
- Protection: IP66

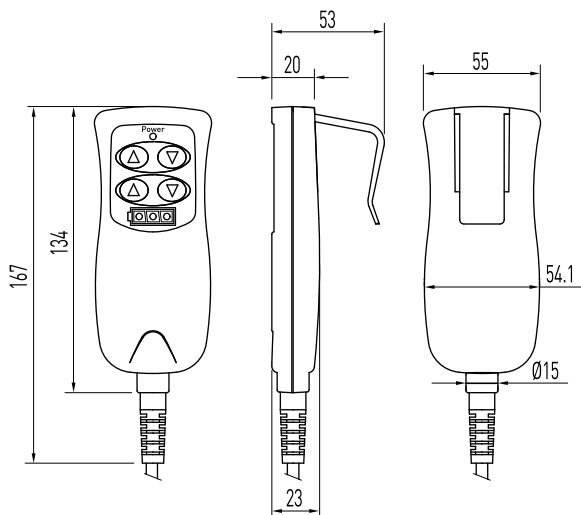
LAP3



Features of the LAP3

- Control maximum of 2 Actuators
- Compatible with LAK2B, LAK2J
- Ergonomic design
- Standard cable length: coil 600mm; total 1100mm
- LED for battery capacity
- Protection: IP66
- * Option: UL version only for LAP3-1-B

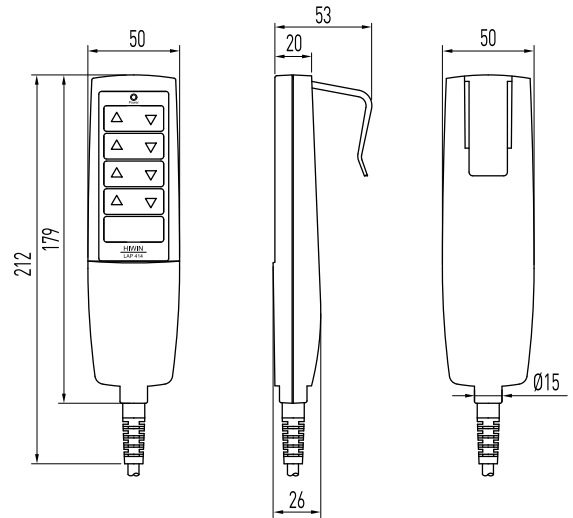
LAP3N



Features of the LAP3N

- Control maximum of 2 Actuators
- Compatible with LAK2BN
- Ergonomic design
- Standard cable length: coil 600mm; total 1100mm
- LED for battery capacity
- Protection: IP66
- *Option: Cable length: coil 600mm; total 2250mm

LAP4



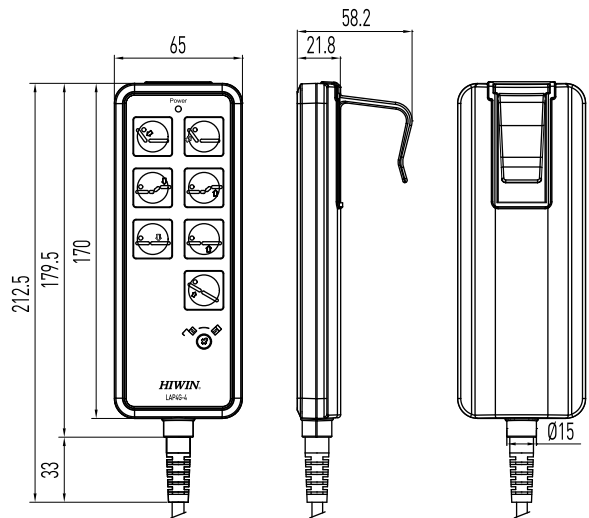
Features of the LAP4

- Control maximum of 4 Actuators
- Compatible with LAK4
- Ergonomic design
- Standard cable length: coil 600mm; total 1100mm
- Protection: IP66

Option:

- (1) Cable length: coil 600mm; total 2250mm
- (2) UL version only for LAP4-3-B

LAP4G



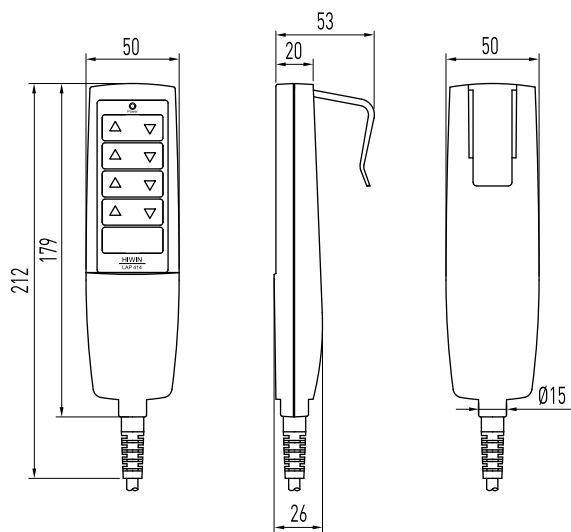
Features of the LAP4G

- Control maximum of 6 Actuators
- Compatible with LAK4D, LAK6B
- Ergonomic design
- Standard cable length: coil 600mm; total 1100mm
- Protection: IP66
- With lock function

Option:

- (1) UL version
- (2) Cable length: coil 600mm; total 2250mm
- (3) Special mask...see page 69-70.

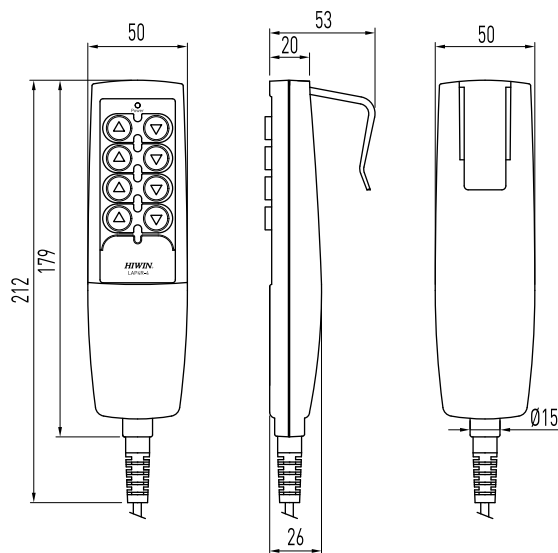
LAP4N



Features of the LAP4N

- Control maximum of 4 Actuators
- Compatible with LAK4D
- Ergonomic design
- Standard cable length: coil 600mm; total 1100mm
- Protection: IP66
- * Option: Cable length: Coil 600mm; total 2250mm

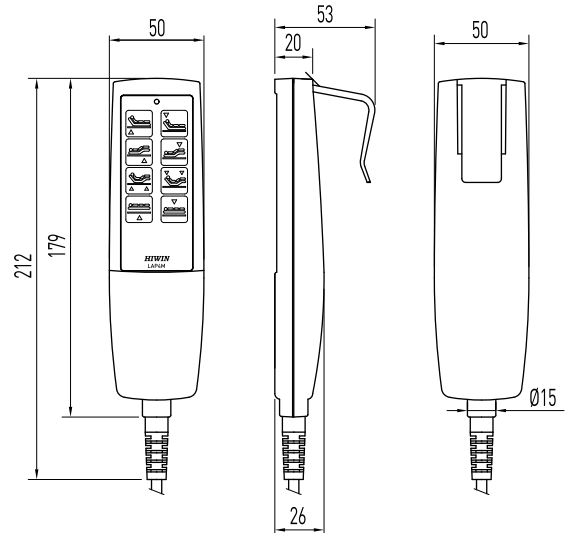
LAP4R



Features of the LAP4R

- Control maximum of 4 Actuators
- Compatible with LAK4, LAK4D, LAK2J, LAK6B
- Ergonomic design
- Standard cable length: coil 600mm; total 1100mm
- Protection: IP66
- * Option: Cable length: coil 600mm; total 2250mm

LAP4M



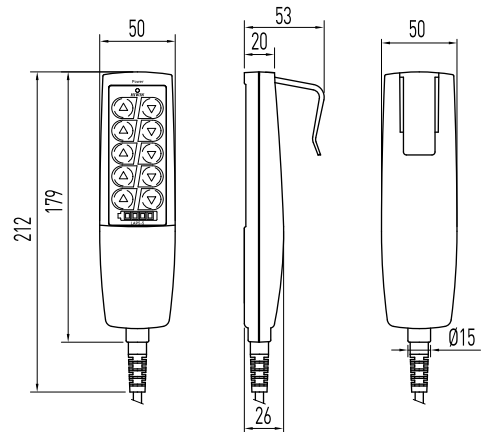
Features of the LAP4M

- Control maximum of 4 Actuators
- Compatible with LAK4, LAK4D

- Ergonomic design
- Standard cable length: coil 600mm; total 1100mm

- Protection: IP66
- * Option: Cable length: coil 600mm; total 2250mm

LAP5



Features of the LAP5

- Control maximum of 5 Actuators
- Compatible with LAK6B, LAK2J

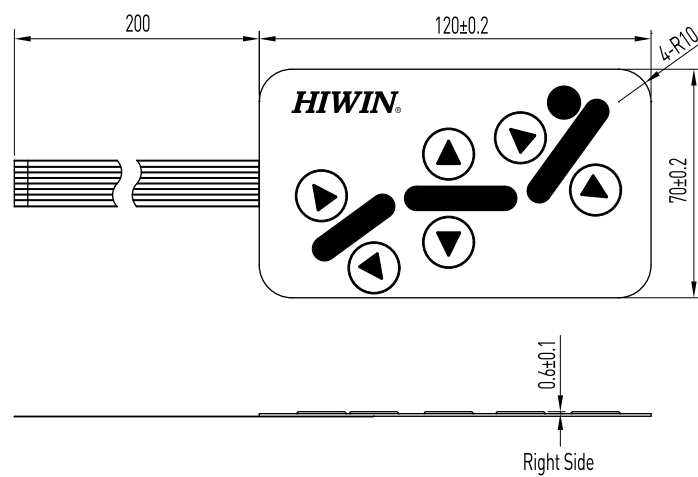
- Ergonomic design
- Standard cable length: coil 600mm; total 1100mm

- Protection: IP66

Ordering Information

Model number							LAP1 - 2 - B E		Special models according to Client's requirement	
LAP1	LAP2	LAP3	LAP3N	LAP4	LAP4N	LAP4G	Number of axis controlled	Color	None	
LAP4M	LAP4R	LAP5						B: Black	E=Ignore this part of the serial number if not available	
								G: Gray		

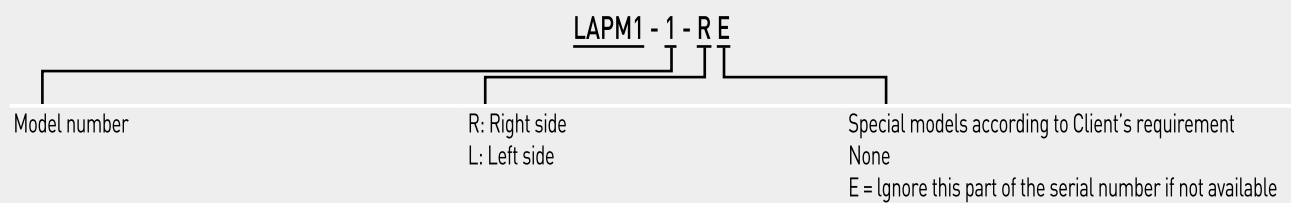
LAPM1



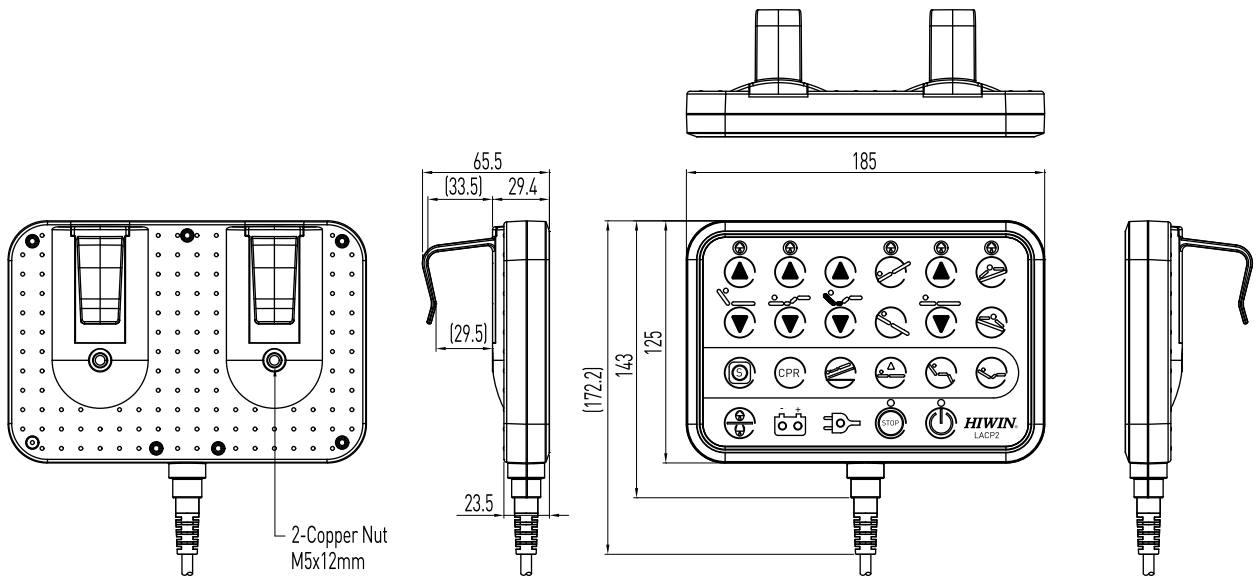
Features of the LAPM1

- Control maximum of 4 Actuators
- Compatible with LAK4D, LAK6B
- Cable length: 200mm

Ordering Information



LACP2



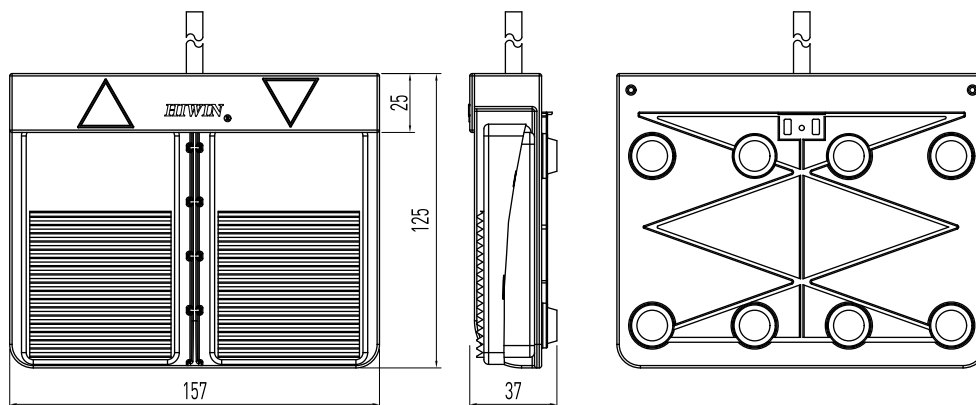
Features of the LACP2

- Control maximum of 5 Actuators
- Compatible with LAK6B
- Ergonomic design
- Custom mask and function
- Standard cable length: coil 600mm; total 1100mm
- Protection: IP54
- Option: IP66

Ordering Information

LACP2 - 2 - B E			
Model number	Number of axis controlled	Color B : Black G : Gray	Special models according to Client's requirement None E = Ignore this part of the serial number if not available

LAFS1

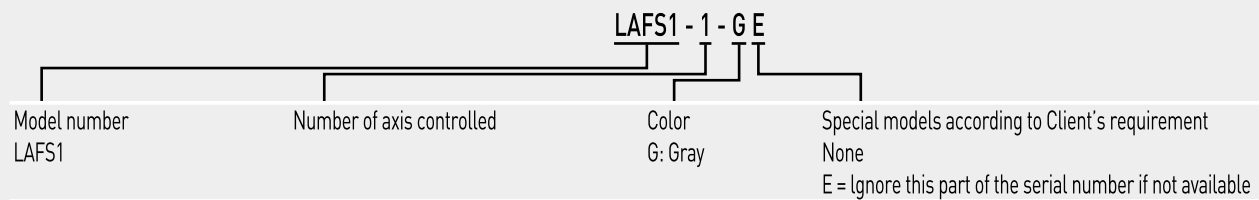


Features of the LAFS1

- Controls 1 Actuator
- Compatible with all controllers
- * Notice the type of controller

- Easily portable with attached magnet
- Standard cable length: coil 600mm; total 1100mm

Ordering Information



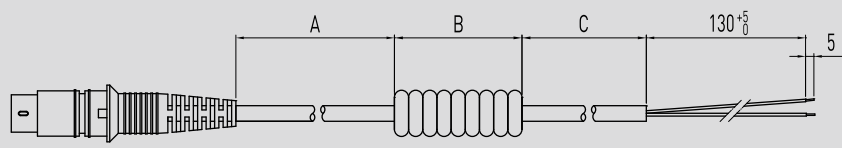
Linear Actuator

Options for each type

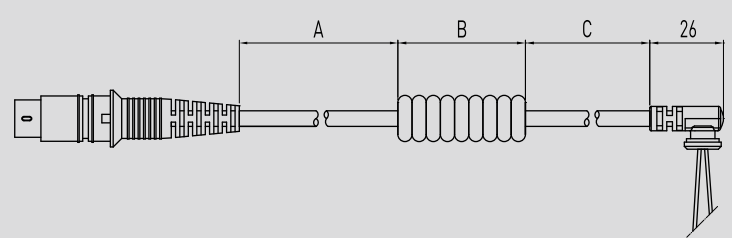
33. Standard Cable length of the actuator

Item	Type	Standard cable length(Straight line)					Cable diagram	
		Mount with controller Cable length(L)	Normal length (L)					
1	LAM1							
2	LAM2							
3	LAM3	200mm(DIN 4PIN)						
4	LAI1							
5	LAI2							
6	LAS1							
7	LAS2							
8	LAS3							
9	LAS4		1M	1.5M	2M	2.5M		3M
10	LAS5							
11	LAN1	300mm(DIN 4PIN)						
12	LAH1	300mm(DIN 4PIN)						
13	LAN3							
14	LAN3A							
15	LAN4							
16	LAN5	410mm(DIN 4PIN)						
17	LAC1							
18	LAC3							
19	LAN5 Coil							

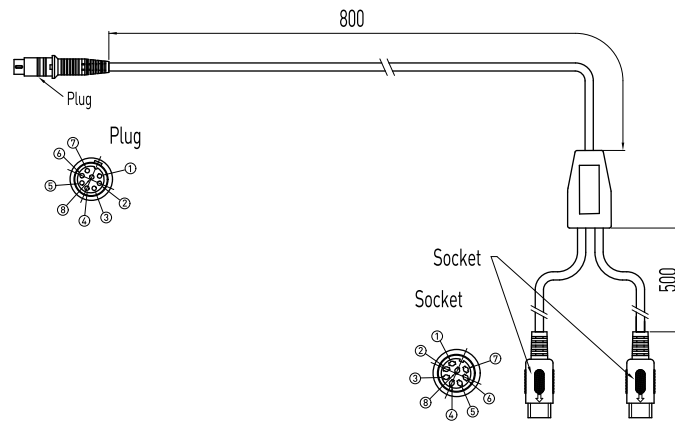
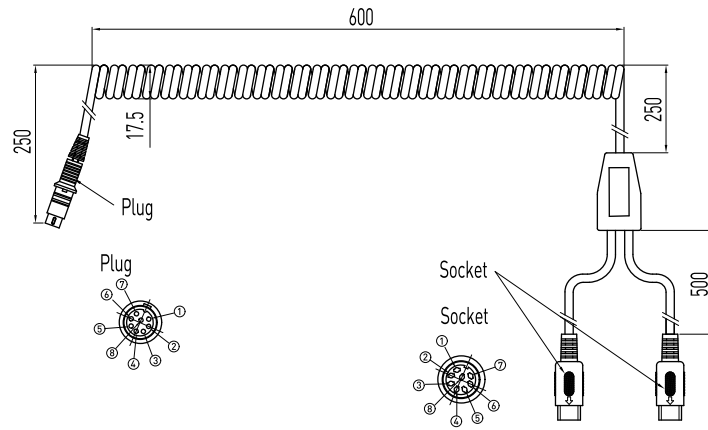
DIN 4PIN - Coil	Species	1	2	3	4	5
	Length A	100	300	300	100	1350
	Length B	100	300	400	600	400
	Length C	130	130	330	130	110



DIN 4PIN - Coil (90° Connector)	Species	1	2			
	Length A	100	300			
	Length B	100	300			
	Length C	100	100			



Y-CABLE



Features of the Y-Cable

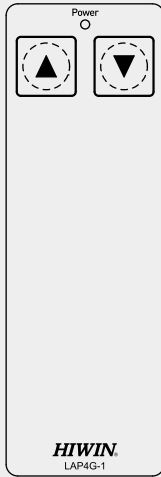
- Compatible with 2 keypads independent input.

Ordering Information

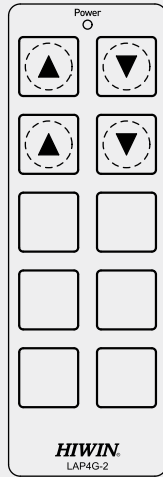
LAPY - 1 - G E			
Model of Y extension cable	Cable	Color	Special models according to Client's requirement
	1: Coil cable 2: Straight cable	B: Black G: Gray	None E = Ignore this part of the serial number if not available

34. HIWIN LAP4G Mask Options

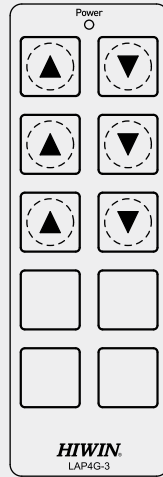
LAP4G Mask (1)



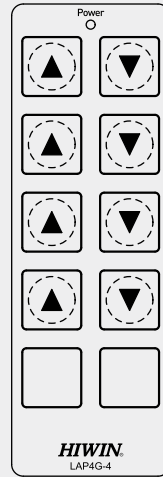
H12B031/H12B056



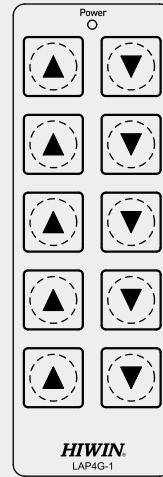
H12B008



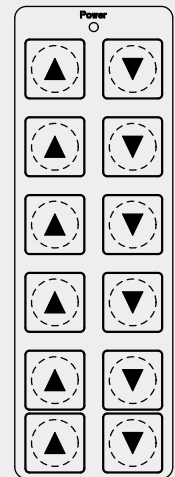
H12B018



H12B009

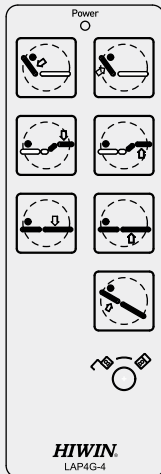


H12B037

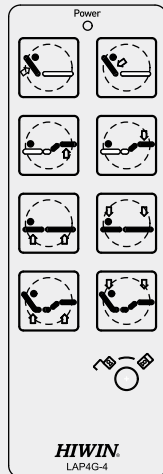


H12B041

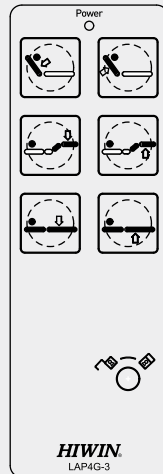
LAP4G Mask (2) (With lock function)



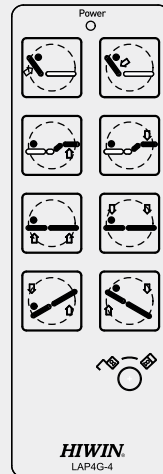
H12B001/H12B044



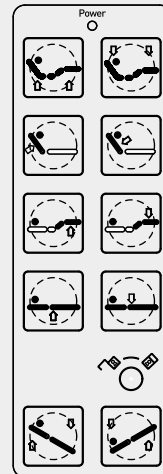
H12B010



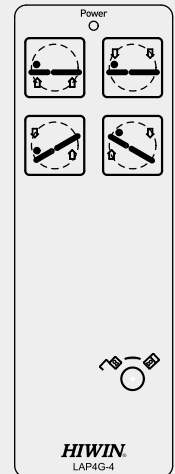
H12B024



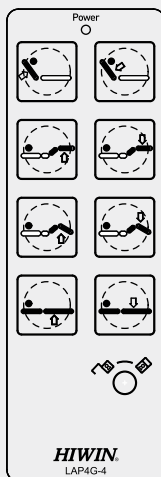
H12B025



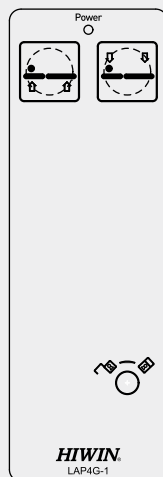
H12B034



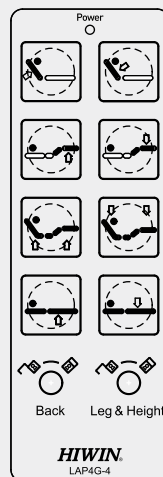
H12B058/H12B074



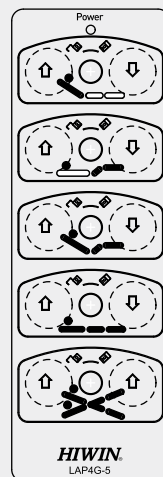
H12B062



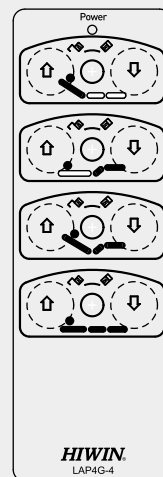
H12B073



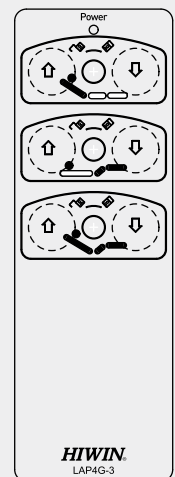
H12B017



H12B015

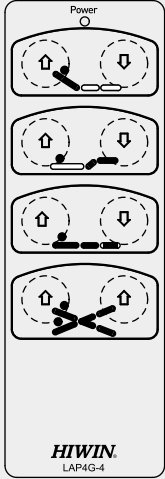


H12B048

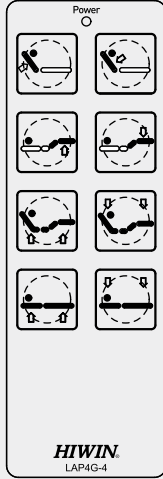


H12B055

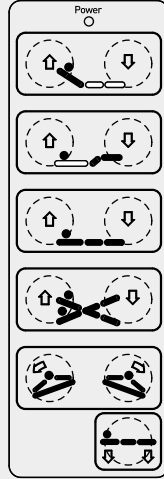
LAP4G Mask (3)



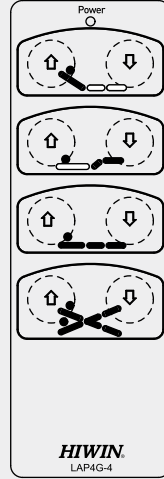
H12B020



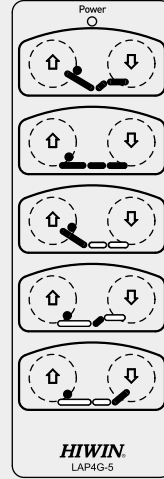
H12B021



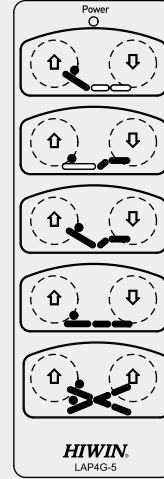
H12B023



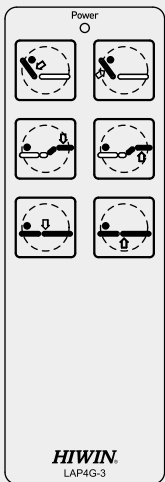
H12B026



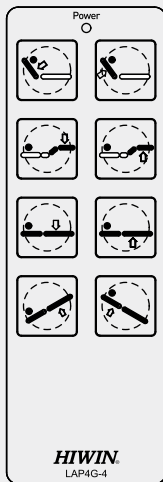
H12B027



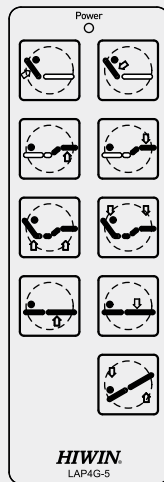
H12B028



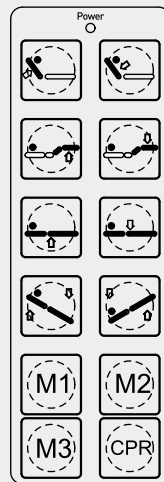
H12B032/H12B039



H12B047



H12B049



H12B052

35. HIWIN Options for each Actuator Type

Series	Function	IP54	IP65	IP66	Back fixture turn 90°	Gear box material S45C	Rod end with flat connector	Safety nut	Spline (push only)	Quick release	Internal limit switches	External limit switches	Hall Sensor		Potentiometer	Optical Sensor			MR Sensor NPN
													NPN	TTL		NPN	PNP	TTL	
LAM1	LAM1-1	●	▲		▲	▲						▲							
	LAM1-2	●	▲		▲	▲						▲							
	LAM1-1A	●	▲		▲	▲						▲							
	LAM1-2A	●	▲		▲	▲						▲							
LAM2	LAM2-1	●		▲	▲		●		▲		●	▲							▲
	LAM2-2	●		▲	▲		●		▲		●	▲							▲
	LAM2-3	●		▲	▲		●		▲		●	▲							▲
	LAM2-4	●		▲	▲		●		▲		●	▲							▲
LAM3	LAM3-1	●		▲	▲			▲	▲		●								
	LAM3-2	●		▲	▲			▲	▲		●								
	LAM3-3	●		▲	▲			▲	▲		●								
	LAM3-4	●		▲	▲			▲	▲		●								
LAS1	LAS1-1	●	▲		▲		▲				●								
	LAS1-2	●	▲		▲		▲				●								
LAS2	LAS2-1	●	▲		▲						●				■	■	■	■	
	LAS2-2	●	▲		▲						●				■	■	■	■	
LAS3	LAS3-1	●	▲		▲						●				■	■	■	■	
	LAS3-2	●	▲		▲						●				■	■	■	■	
LAS4	LAS4-1	●	▲								●								
	LAS4-2	●	▲								●								
LAS5	LAS5-1	●		▲								▲	▲	▲					
	LAS5-2	●		▲								▲	▲	▲					
LAN1	LAN1-1	●		▲	▲			▲	▲		●			▲	▲				
	LAN1-2	●		▲	▲			▲	▲		●			▲	▲				
	LAN1-3	●		▲	▲			▲	▲		●			▲	▲				
	LAN1-4	●		▲	▲			▲	▲	▲	●			▲	▲				
LAN3	LAN3-1	●		▲	▲			▲	▲	▲	●				▲				▲
	LAN3-2	●		▲	▲			▲	▲	▲	●				▲				▲
	LAN3-3	●		▲	▲			▲	▲	▲	●				▲				▲
LAN3A	LAN3A-1	●		▲	▲			▲	▲	▲	●				▲				▲
	LAN3A-2	●		▲	▲			▲	▲	▲	●				▲				▲
	LAN3A-3	●		▲	▲			▲	▲	▲	●				▲				▲
	LAN3A-4	●		▲	▲			▲	▲	▲	●				▲				▲
LAN4	LAN4-1	●		▲															
	LAN4-2	●		▲															
	LAN4-3	●		▲															
	LAN4-4	●		▲															
LAN5	LAN5-1	●	◆	■	▲			▲	▲		●			▲	▲				
	LAN5-2	●	◆	■	▲			▲	▲		●			▲	▲				
	LAN5-3	●	◆	■	▲			▲	▲		●			▲	▲				
	LAN5-4	●	◆	■	▲			▲	▲		●			▲	▲				
LAC1	LAC1-1	●									●		■	■	■				
LAC3	LAC3-1	●									●		■	■	■				

● Standard
 ▲ Option is available.
 ◆ ■ Only 1 option is available.

Linear Actuator

36. HIWIN Option for each Controller Type

Function		Type	LAK2RL	LAK2	LAK2BN	LAK2D	LAK2J	LAK4	LAK4D	LAK6B
IP54			●	●	●	●	●	●	●	●
IP65							▲			
IP66			▲	▲	▲	▲		▲	▲	▲
Input Voltage	DC 12V			■						
	DC 24V			■			●			
	AC 100V		■	■	■	■		■	■	■
	AC 110V		■	■	■	■		■	■	■
	AC 120V		■	■	■	■		■	■	■
	AC 220V		■	■	■	■		■	■	■
	AC 230V		■	■	■	■		■	■	■
Output Power (24V)	72.5VA							●	●	■
	108VA		●	●		●				
	144VA				●				■	■
	216VA								■	●
Max. control axis no.			1	2	2	2	2	3	4	6
Over load protection			●	●	●	●	●			●
Relay protection			●	●	●	●	●	●		●
Battery	9V alkaline					▲				
	1.3Ah (Lead Acid)				■					●
	2.9Ah (Lead Acid)				■					
	4.5Ah (Lead Acid)						●			
Charge function					●		▲			●
Energy saving					●		●			●
Custom program					▲		▲			▲
Control external limit switch			●		▲					▲
Mounted with actuator						●		●	●	
Detachable cable retainer									●	
Removable AC power cable									●	●

● " Standard
 ▲ " Option is available.
 ■ " Only 1 option is available.